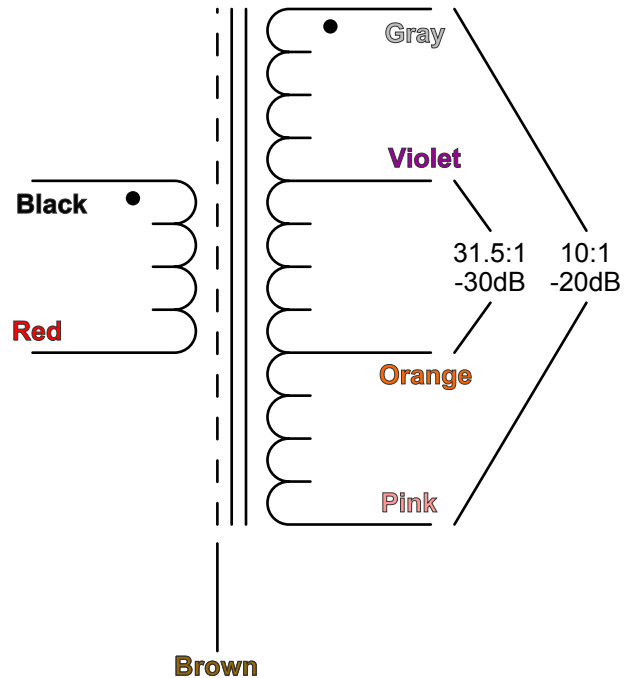


Flying Lead Custom Instrument DI Transformer (Direct Inject)

Primary Impedance: 50k ohms

Secondary Impedance:
 31.5:1 = 50 ohms
 10:1 = 500 ohms

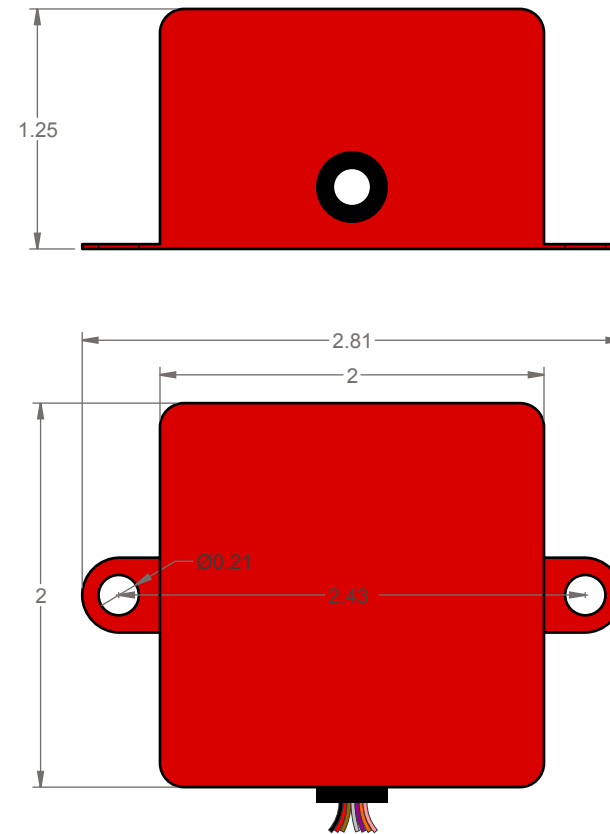
Reflected instrument impedance when looking into 1k ohms mic preamplifier:
 31.5:1 = 1M ohms
 10:1 = 100k ohms



● = Similar Phase



Flat Mount with #8 screws, nuts and lockwashers.



Designed by: Classic Audio

Drawn: 4/7/2024

Scale: 1:1



Classic Audio Products Inc

Big Red-DI Direct Inject Transformer